

## TRANSITION ADAPTOR PE-PE

03 Update - 06/2023

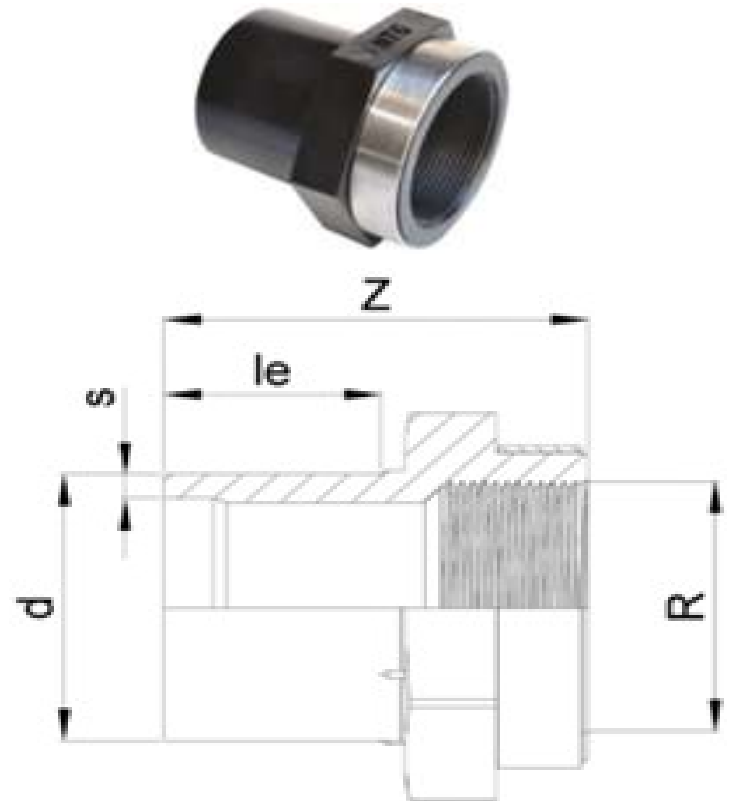
### TECHNICAL DATA

Article No	001 117 6211 0020
d (mm)	20
R (inch)	1/2"
le (mm)	34
Z (mm)	59
s (mm)	3,0
Weight (Kg)	0,025
Box Quantity (pcs)	100
Box Dimension (pcs)	27,5x24x23

### IDENTIFICATION OF PRODUCT

D	20x1/2"
PN	10
RAW METARIAL	PE 100
PRESSURE CLASS	10 Bar Water
TRADEMARK	NTG
EXECUTION	Injection Moulded
STANDARD	EN 12201-3

### INJECTION MOULDED



### SPECIFICATION

Long Spigot  
Reinforcing ring stainless

*Tolerance on diameters and thickness according to the standards. The other dimensions are specialized. Tolerance  $\pm 5\%$ . NTG PLASTIK reserves all the right to change any information without giving prior notice. The production, distribution and utilization of this document without explicit authorization is prohibited.*